

010-0100
Release Lever



Designed as an inside release for use with TriMark's L-handles, this product offers a simple low cost handle for use on rotating drive bar applications

Global Locations:

TriMark Corporation
500 Bailey Avenue
P.O. Box 350
New Hampton, Iowa 50659
United States
Tel: 641-394-3188
Fax: 641-394-2392
1-800-447-0343
www.trimarkcorp.com

TriMark Europe
Cedar Court
Walker road
Bardon Hill
Coalville LE67 1TU
United Kingdom
Tel: +44(0)1530 512460
Fax: +44(0)1530 512461
www.trimarkeu.com

TriMark (Xuzhou)
Building A5 Jingwu Road
Xuzhou Economic
Development Zone
Xuzhou, Jiangsu
221004 PR China
Tel: +86 516 8773 0018
Fax: +86 516 8773 0058
www.trimarkcn.com



TriMark. Interactive. Product. Selector



AVAILABLE:

- With 5/16" square hole at 90 degree or 45 degree orientation

MATERIAL:

- Die cast zinc alloy

FINISH

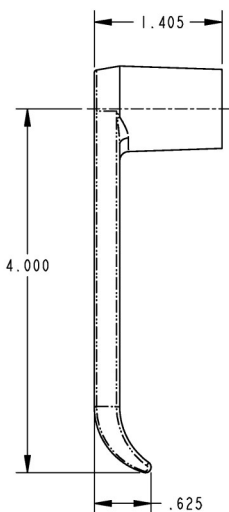
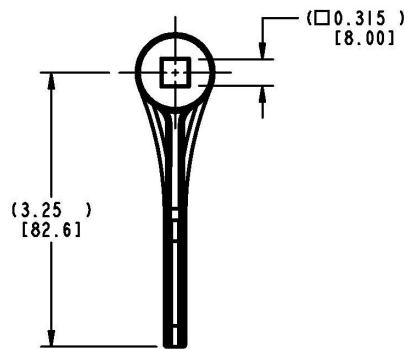
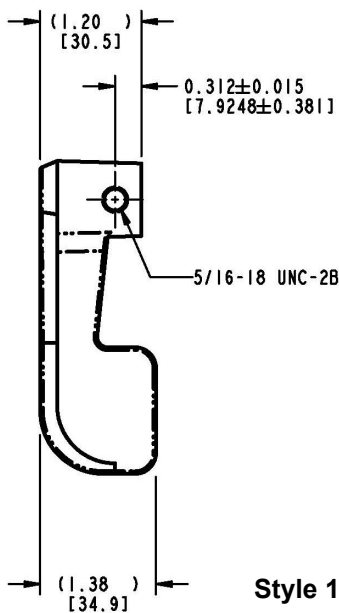
- Mill -- unplated
- Copper-nickel-chrome plated
- Black powder coated

INSTALLATION:

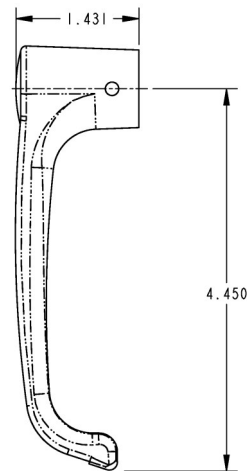
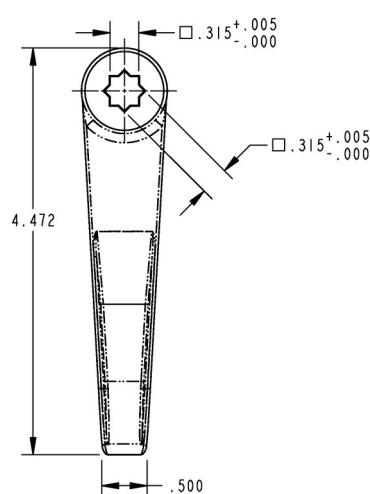
- .156" (4.0mm) diameter roll pin (not included)
- 5/16" diameter set screw

Individual part dimensions are for reference only. Refer to individual part drawings for complete dimensions, specifications, and installation procedures. Engineering assistance and application drawings are available.

For more information visit
www.trimarkcorp.com



Style 2



Style 3

